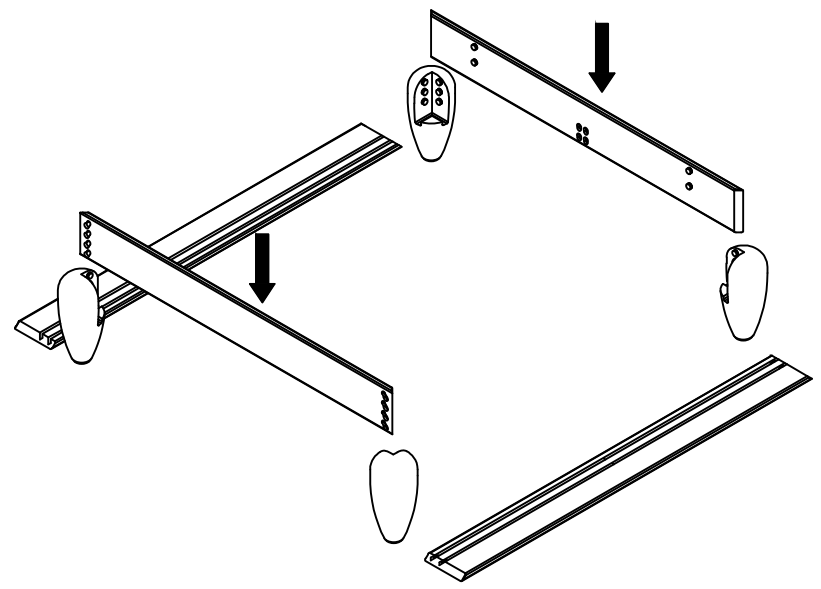
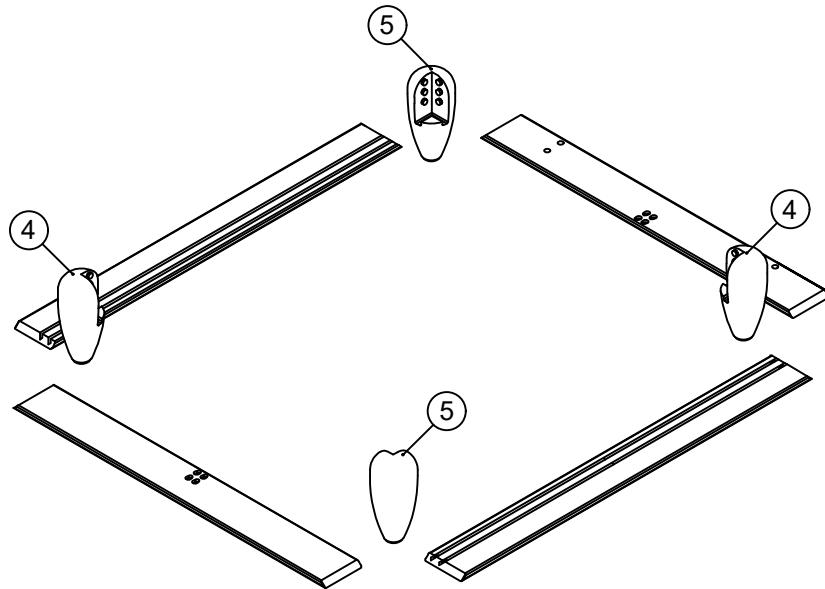
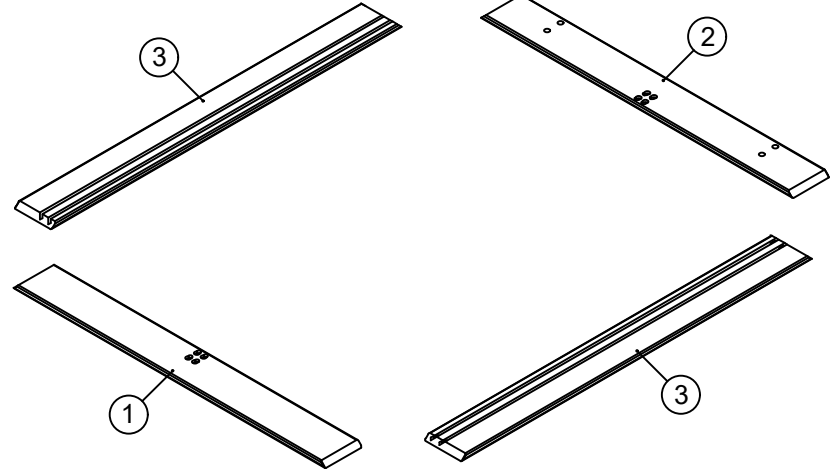
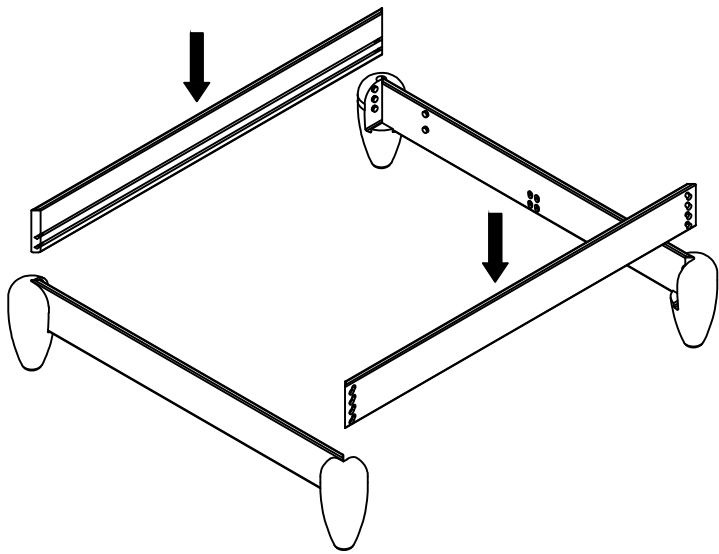


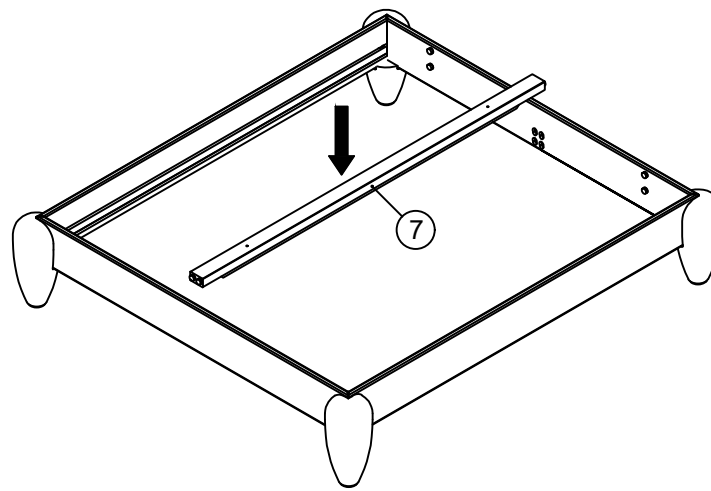
Drop



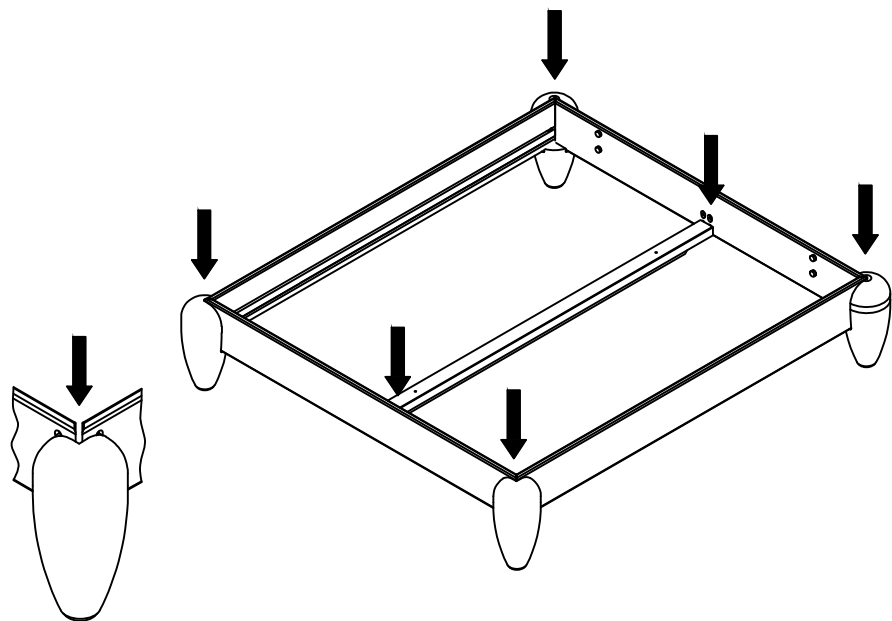
4



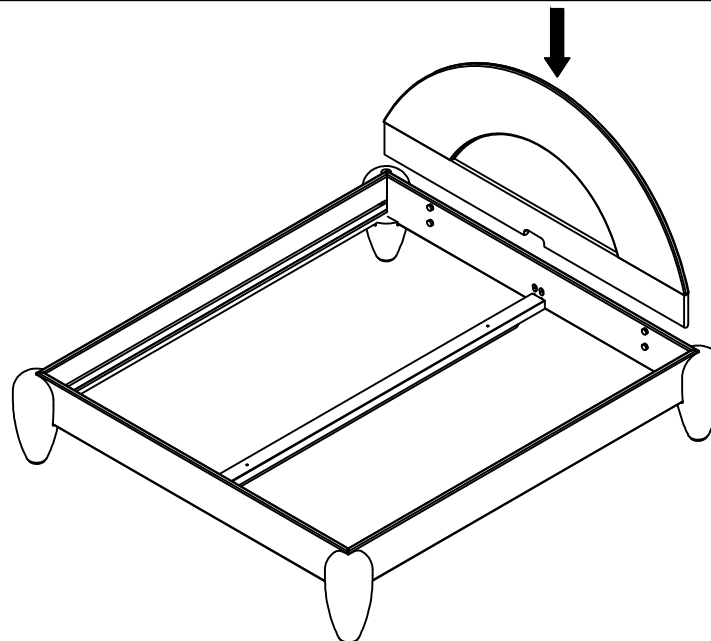
5



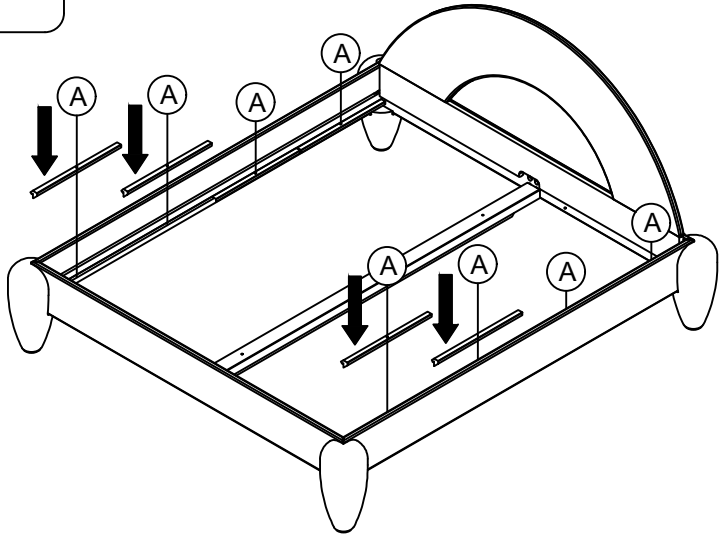
6



7

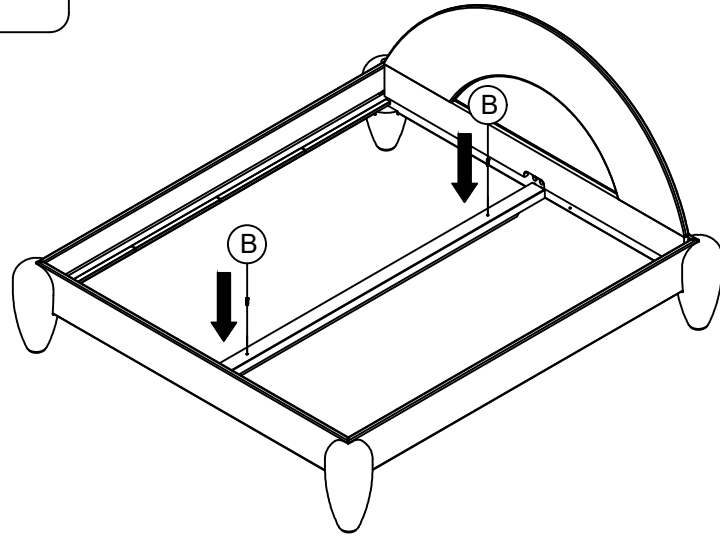


A
8 x



8

B
Ø8x40
2 x



9

